

ABOUT TIMES-7

Pushing the boundaries of RFID technology worldwide Times-7 are leaders in RFID antenna design and manufacture. Our patented award winning UHF antennas meet the needs of virtually any industry application; providing customers with fast accurate tracking of products, assets & people; empowering organizations to transform processes & reduce costs.

Our SlimLine range of antennas are unique in the RFID industry; offering high levels of performance & durability in an aesthetically superior form.

Proven in a diverse & growing range of markets, applications include: retail & customer interaction, conference & people tracking, race timing, baggage handling, and logistic & supply chain asset management.

Times-7 Research Ltd
29 Railway Avenue
Lower Hutt 5010
New Zealand

NEW ZEALAND
P: +64 4 974 6566

NORTH AMERICA
P: +1 408 769 5025

E: info@times-7.com

www.times-7.com



Install a Times-7 SlimLine antenna anywhere!

High quality aluminum Mounting Plate

Available with M6 and M4 studs

Our new Universal Mounting Bracket with industry standard VESA mount complement the SlimLine range of UHF Antennas, making them easy to install anywhere!

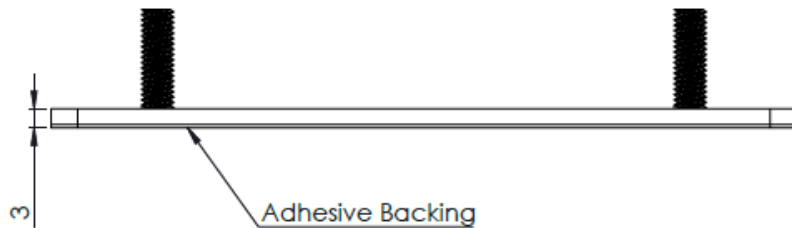
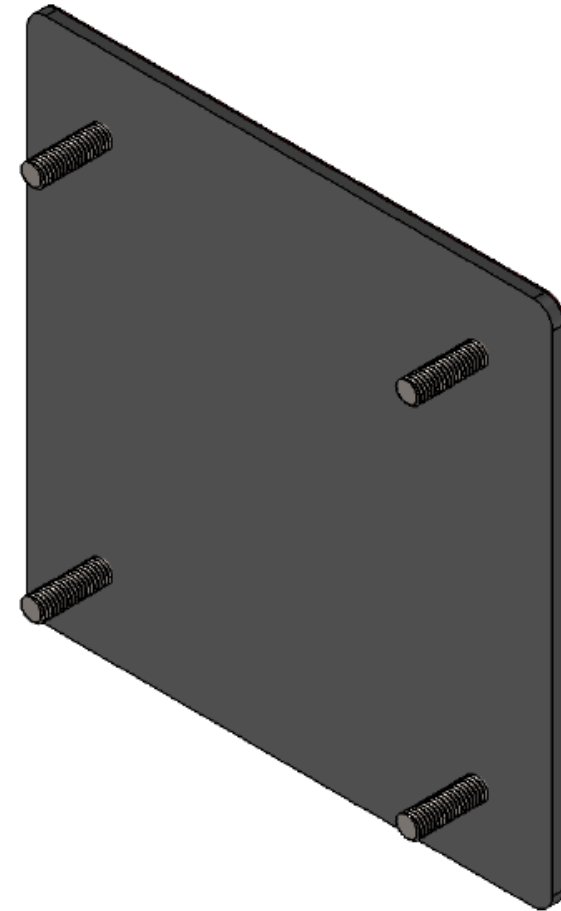
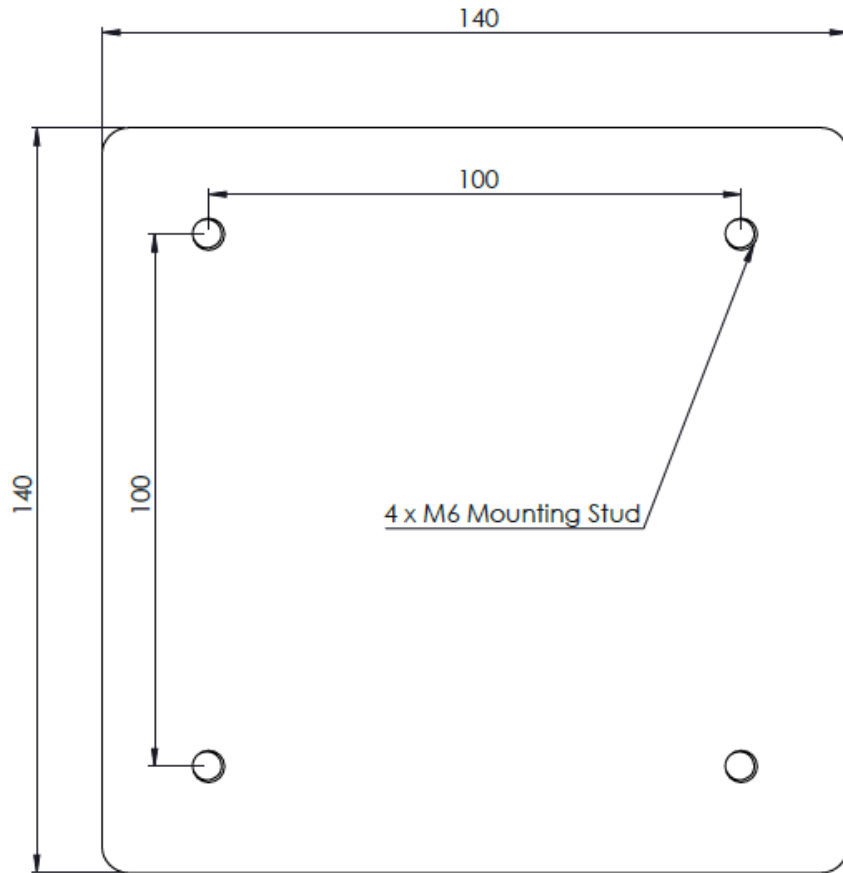
These brackets have been designed with installation simplicity in mind and cater for both interior and exterior mounting requirements under all environmental conditions. It is easy to install with industry tested double-sided tape (supplied) and will be delivered including all nuts and bolts needed.



Specifications:

Dimensions (L x W x D)	140 x 140 x 1.6 mm
	140 x 140 x 3.0 mm (incl. double sided tape)
	5.5 x 5.5 x 0.06"
	5.5 x 5.5 x 0.12" (incl. double sided tape)
Stud Spacing	100 x 100 mm
Stud size	M4 and M6
Part Number	M4 71943
	M6 71757

Mechanical drawing for M6 studs



UNLESS OTHERWISE SPECIFIED:

DIMENSIONS ARE IN mm
 TOLERANCES:
 FRACTIONAL ±
 ANGULAR: MACH ± BEND ±
 TWO PLACE DECIMAL ±
 THREE PLACE DECIMAL ±

INTERPRET GEOMETRIC TOLERANCING PER:

MATERIAL

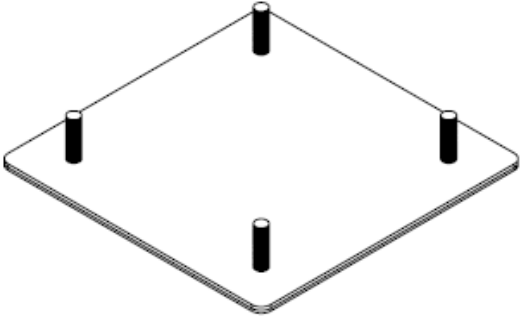
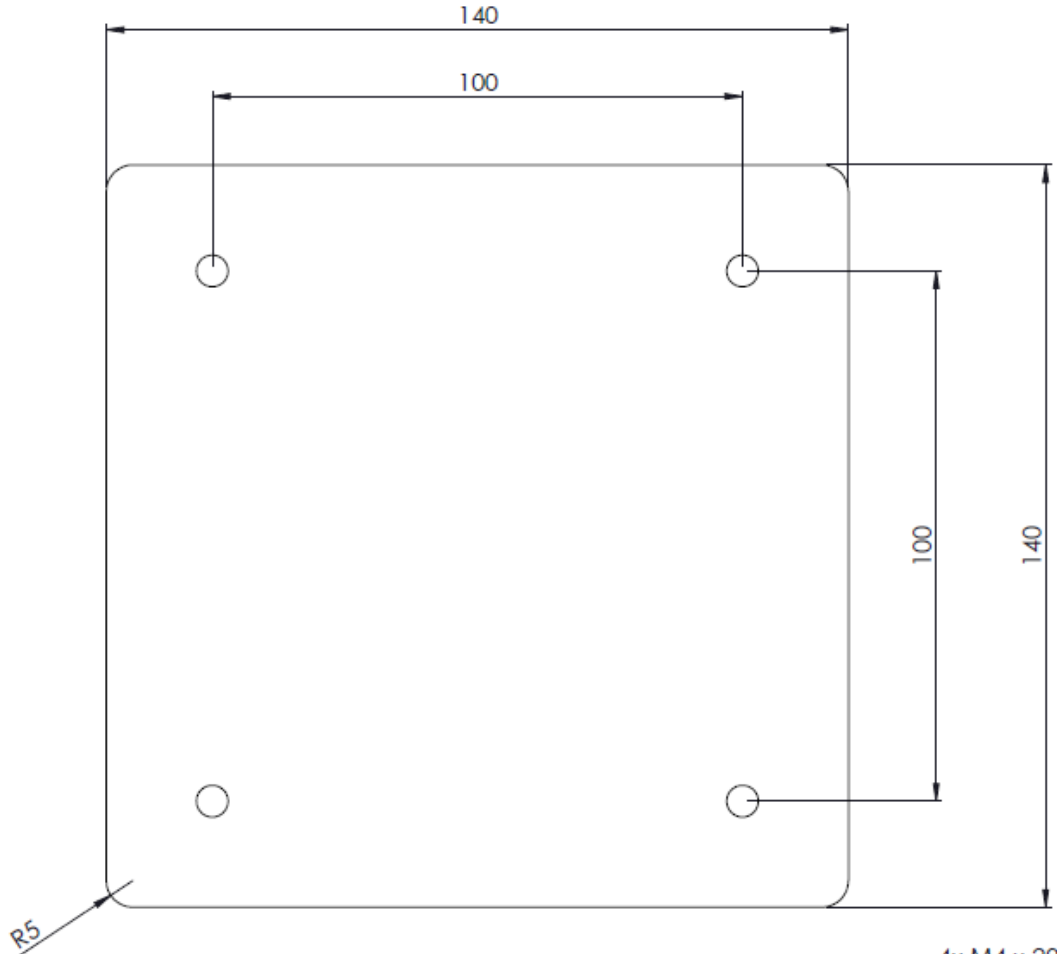
FINISH

DO NOT SCALE DRAWING

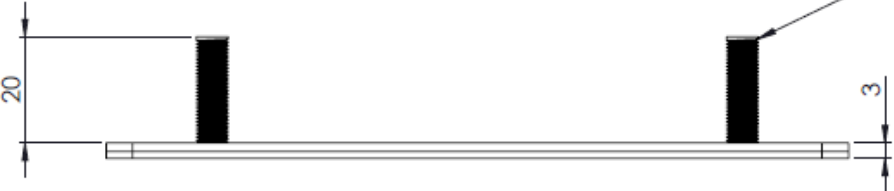
Universal Mounting Bracket

SIZE	DWG. NO.	REV
A3		B
SCALE: 1:1	Robby Lopez	WEIGHT: SHEET 1 OF 1

Mechanical drawing for M4 studs



4x M4 x 20mm Mounting Studs



PROPRIETARY AND CONFIDENTIAL
 THE INFORMATION CONTAINED IN THIS DRAWING IS THE SOLE PROPERTY OF TIMES-7 RESEARCH LTD. ANY REPRODUCTION IN PART OR AS A WHOLE WITHOUT THE WRITTEN PERMISSION OF TIMES-7 RESEARCH IS PROHIBITED.

UNLESS OTHERWISE SPECIFIED: DIMENSIONS ARE IN mm TOLERANCES ARE ±0.4mm	
MATERIAL	Aluminium + VHB backing
FINISH	Grey Powdercoat
DO NOT SCALE DRAWING	

TIMES-7 RESEARCH LTD			
VESA Mounting Bracket			
SIZE	DWG. NO.	REV	
A3	71943	A	
SCALE: 1:1	DRAWN BY: C Wilson	SHEET 1 OF 1	